

# INLGB04KIRWF

## 8 MP Vandal Proof Fixed Bullet Network Camera w/IR, SD Slot

- High quality image with 8MP, 1/3" CMOS sensor
- True WDR (120 dB) to offer you the best image in the most demanding lighting conditions
- H.265+ & H.264 encoding
- Smart IR, Up to 30 m (98ft) IR distance
- Amazing 4K (8MP) resolution for perfect picture clarity



**NDAA  
Compliant**

### Unify your Security Solution

You asked, we listened. Tailored especially for you, Legend is our **fully NDAA compliant brand**. It offers our latest technologies in a robust build with edge storage capacity. Legend by Inaxsys provides H.265+ compression and easy installation.

### Smart H.265+ & H.264

LEGEND smart encoding technology provides high-quality video with higher efficiency and also reduces the cost of storage space and transmission bandwidth by adopting an advanced algorithm of auto stream control.

### Wide Dynamic Range

This camera offers vivid imaging in any scenario. Using industry-leading WDR technology, you'll be able to capture the subject in the most difficult lighting conditions.



\*Design and specifications are subjects to change without notice.



# INLGB04KIRWF

8 MP Vandal Proof Fixed Bullet  
Network Camera w/IR, SD Slot

## Product Specifications

Camera					
Image Sensor	1/3", 8 Megapixel, progressive scan, CMOS				
Scanning System	Progressive				
Electronic Shutter Speed	Auto/Manual, 1~1/100,000 s				
Minimum Illumination	Color: 0.05 Lux (F2.0, AGC ON); 0 Lux with IR				
S/N Ratio	More than 56dB				
IR Distance	Distance up to 30m (98ft)				
Camera Features					
Day/Night	IR-cut filter with auto switch (ICR)				
Backlight Compensation	Supported				
Noise Reduction	2D/3D DNR				
Features	HLC; BLC; WDR 120dB				
Privacy Masking	Up to 4 areas				
OSD	Up to 4 OSDs				
Region of Interest	Up to 2 areas				
Motion Detection	Up to 4 areas				
Lens					
Lens Type	Fixed Lens				
Focal Length	2.8mm				
Viewing Angle	H: 112.7°; V: 60.1°; O: 146.5°				
Pan/Tilt/Rotate	Pan: 0° ~ 360°; Tilt: 0° ~ 90°; Rotate: 0° ~ 360°				
DORI Distance	Lens (mm)	Detect (m)	Observe (m)	Recognize (m)	Identify (m)
	2.8	84.0	33.6	16.8	8.4
Video					
Compression	H.265+, H.265, H.264, MJPEG				
H.264 code profile	Baseline Profile, Main Profile				
Frame Rate	Main Stream: 8MP (3840x2160) Max. 20 fps; 5MP (2944x1656) Max. 30 fps; 4MP (2560x1440) Max. 30 fps; 2MP (1920x1080) Max. 30 fps Sub Stream: 720P (1280x720): Max. 20 fps Third Stream: 4CIF (704x576): Max. 20 fps				
Smart Detetion					
Intelligent Search	Human Detection				

\*Design and specifications are subjects to change without notice.



# INLGB04KIRWF

8 MP Vandal Proof Fixed Bullet  
Network Camera w/IR, SD Slot

## Product Specifications

Network	
Ethernet	10M/100M Base-TX Ethernet
Protocol	IPv4, IGMP, ICMP, ARP, TCP, UDP, DHCP, RTP, RTSP, RTCP, DNS, DDNS, NTP, FTP, UPnP, HTTP, HTTPS, SMTP, SSL, QoS
Compatibility	ONVIF (Profile S, Profile T), API
General	
Power Supply	DC 12V±25%, PoE (IEEE 802.3af)
Power Consumption	Less than 5.5W
Working Environment	-30°C to 60°C (-31°F to 140°F) / Less than 95% RH
Protection	IP67; IK10
Weight	0.99 lb (0.45kg)
Dimensions	167.3 × 62.9 × 62.7mm (6.6" × 2.5" × 2.5")

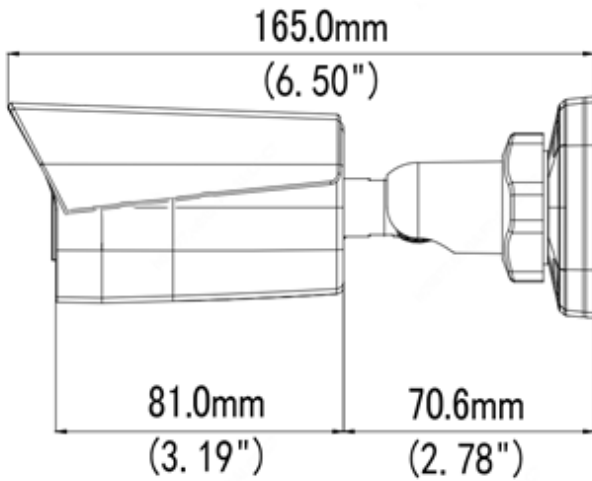
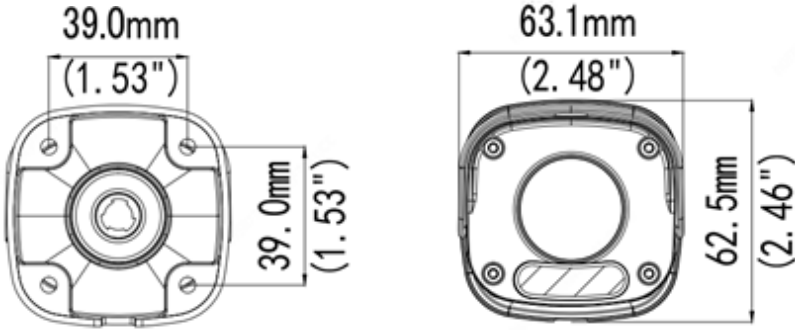
\*Design and specifications are subjects to change without notice.



# INLGB04KIRWF

8 MP Vandal Proof Fixed Bullet Network Camera w/IR, SD Slot

## Product Specifications



**XLGJB05-A  
Junction Box**



**XLGA01  
Waterproof Joint**



**XLGUP06-C  
Pole Mount**



**XLGJB05-A  
Junction Box**

Optional



**XLGA01  
Waterproof Joint**



**XLGUP06-C  
Pole Mount**

\*Design and specifications are subjects to change without notice.

