

INLGTO4KIRWF

8 MP Vandal Proof Fixed Turret Network Camera w/IR, SD Slot

- High quality image with 8MP, 1/2.7" CMOS sensor
- Built-in Mic
- H.265+ & H.264 encoding
- 120dB true WDR technology
- Supports Micro SD card up to 256GB
- Smart IR, up to 30m (98ft) IR distance

Unify your Security Solution

You asked, we listened. Tailored especially for you, Legend is our **fully NDA compliant brand**. It offers our latest technologies in a robust build with edge storage capacity. Legend by Inaxsys provides H.265+ compression and easy installation.

Smart H.265+ & H.264+

LEGEND smart encoding technology provides high-quality video with higher efficiency and also reduces the cost of storage space and transmission bandwidth by adopting an advanced algorithm of auto stream control.

Wide Dynamic Range

This camera offers vivid imaging in any scenario. Using industry-leading WDR technology, you'll be able to capture the subject in the most difficult lighting conditions.



NDA A
Compliant



*Design and specifications are subjects to change without notice.



INLGTO4KIRWF

8 MP Vandal Proof Fixed Turret Network Camera w/IR, SD Slot

Product Specifications

Camera					
Image Sensor	1/2.7", 8.0 megapixel, progressive scan, CMOS				
Scanning System	Progressive				
Electronic Shutter Speed	Auto/Manual, 1 ~ 1/100000s				
Minimum Illumination	Color: 0.01 Lux (F2.0, AGC ON) / 0 Lux with IR on				
S/N Ratio	More than 56dB				
IR Distance	Distance up to 30M (98ft)				
Wide Dynamic Range	120dB				
Camera Features					
Day/Night	IR-cut filter with auto switch (ICR)				
Backlight Compensation	Supported				
White Balance	Auto / Outdoor / Fine Tune / Sodium Lamp / Locked				
Noise Reduction	2D/3D DNR				
Features	HLC; BLC; Dewarping				
Privacy Masking	Up to 4 areas				
OSD	Up to 8 OSDs				
Smart IR	Supported				
Motion Detection	Up to 4 areas				
Lens					
Lens Type	Fixed Lens				
Focal Length	2.8mm				
Viewing Angle	H: 112.4°; V: 60.1°; O: 146.1°				
Iris Type	N/A				
Pan/Tilt/Rotate	Pan: 3° ~ 360°; Tilt: 0 ~ 80°; Rotate: 3° ~ 360°				
DORI Distance	Lens (mm)	Detect (m)	Observe (m)	Recognize (m)	Identify (m)
	2.8	84.0	33.6	16.8	8.4
Video					
Compression	H.265+ / H.265 / H.264 / MJPEG				
H.264 code profile	Baseline profile, Main profile, High profile				
Frame Rate	Main Stream: 8MP (3840x2160), Max 20fps; 5MP (3072x1728), Max 30fps; 4MP (2560x1440), Max 30fps; 1080P (1920x1080), Max 30fps				
	Sub Stream: 1080P (1920x1080), Max 30fps; 720P (1280x720), Max 30fps; D1 (720x576), Max 30fps; 640x360, Max 30fps; 2CIF (704x288), Max 30fps; CIF (352x288), Max 30fps;				
	Third Stream: D1 (720x576), Max 30fps; 640x360, Max 30fps; 2CIF (704x288), Max 30fps; CIF (352x288), Max 30fps				
Bit Rate	128 Kbps~16 Mbps				

*Design and specifications are subjects to change without notice.



INLGTO4KIRWF

8 MP Vandal Proof Fixed Turret Network Camera w/IR, SD Slot

Product Specifications

Network	
Ethernet	1 RJ45 10M/100M Base-TX Ethernet
Protocol	IPv4, IGMP, ICMP, ARP, TCP, UDP, DHCP, RTP, RTSP, RTCP, DNS, DDNS, NTP, FTP, UPnP, HTTP, SNMP, HTTPS, SMTP, SSL
Compatibility	ONVIF (Profile S, Profile G, Profile T), API
Audio	
Audio Compression	G.711
Suppression	Supported
Sampling Rate	8KHZ
Microphone	Built-in Mic
Storage	
Edge Storage	Micro SD slot, up to 256 GB
Network Storage	ANR
General	
Power Supply	DC 12V ± 25%, PoE (IEEE 802.3af)
Power Consumption	Less than 5W
Working Environment	-30° C ~ +60° C / Less than 95% RH
Ingress Protection	IP67
Weight	0.44kg (0.97lb)
Dimensions	Φ110.5 x 94.1mm (Φ4.4" x 3.7")

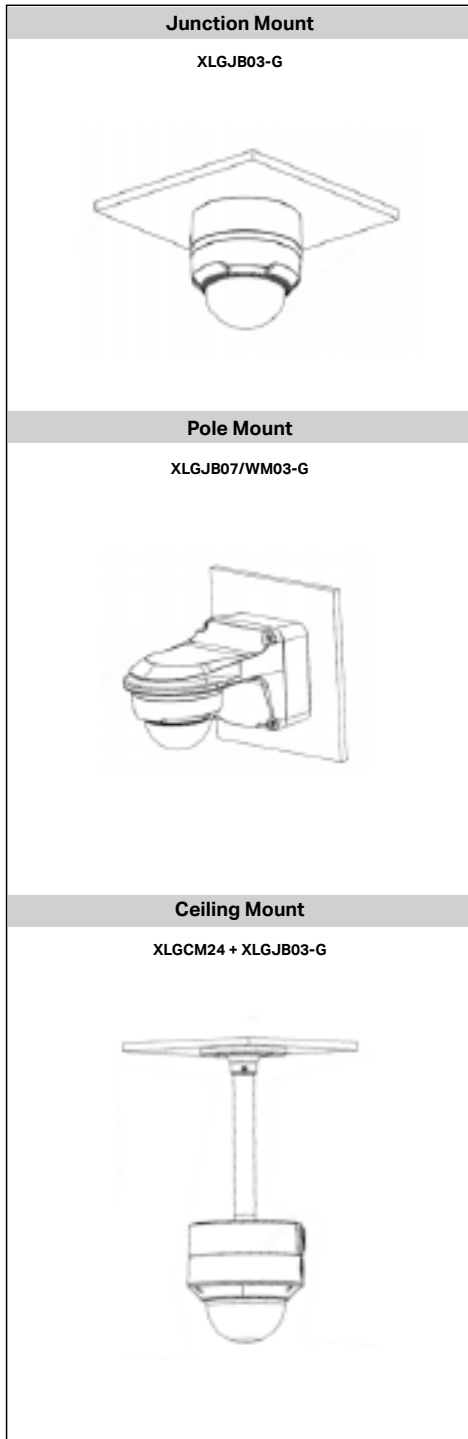
*Design and specifications are subjects to change without notice.



INLGTO4KIRWF

8 MP Vandal Proof Fixed Turret
Network Camera w/IR, SD Slot

Product Specifications



XLGJB07/WM03-G
Wall Mount



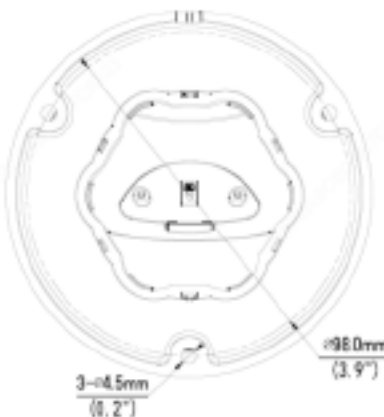
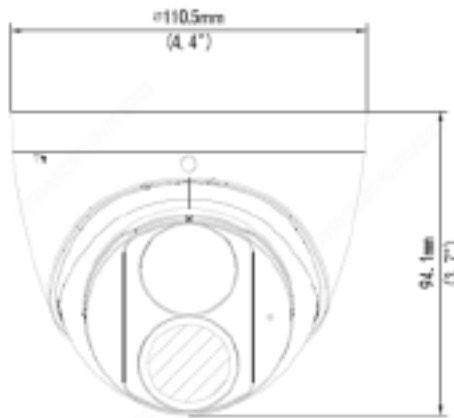
XLGJB03-G
Junction Box



XLGWM03-D
Wall Mount



XLGA01-IN
Waterproof Joint



XLGCM24
Ceiling Mount



VUSD256G
Micro SD Card

*Design and specifications are subjects to change without notice.

